

ULT800

MEDIDOR DE FUGAS DE TRANSDUCTORES ULTRASONIDOS



Descripción

ULT800 prueba la seguridad eléctrica de los transductores de ultrasonidos independientemente de sus equipos. Una variedad de adaptadores permiten comprobar diferentes marcas y modelos, incluyendo los transductores de ecocardiografía transesofageal.

Con el ULT800, la prueba del transductor es fácilmente introducida en los procedimientos rutinarios de desinfección. Los técnicos llevan a cabo las pruebas en un recipiente al principio del día y entre pacientes. Unos indicadores de Pasa/Fallo lo hacen fácil de utilizar incluso por personal no técnico, tales como técnicos de imagen por ultrasonidos y técnicos de suministro de material estéril, pudiendo realizar las pruebas ellos mismos.

El ULT800 está disponible como unidad independiente o como un conjunto, que incluye dos adaptadores de transductor, electrodo de doble conductividad y maletín de transporte.

Características principales

- Tamaño de mano
- Funcionamiento autónomo
- Medición directa de la corriente de fuga
- Alimentado a pila
- Independiente de los sistemas de 120 V o 240V
- Circuito interno de auto-test
- Auto-apagado para conservar la pila

Tel: 935 862 747
 Fax: 935 862 749
 E-mail: info@stelectromedicina.es
 Web: www.stelectromedicina.es

ST - Electromedicina, s.a.
 c/ Atenas, nº 23-25, Nave 2
 Pol. Ind. Cova Solera
 08191 - RUBI
 (Barcelona) - SPAIN

Technical specifications

Power

9 V alkaline battery, approximately 1000 uses per battery

Conductivity

Limit To Pass: > 133 µA + 1 %

Leakage

Limit To Pass: < 185 µA + 1 %;
> 20 µA + 1 %

Dimensions (WxDxH)

10 cm x 17 cm x 4 cm
(3.7 in x 6.5 in x 1.5 in)

Weight

0.34 kg (0.75 lb)

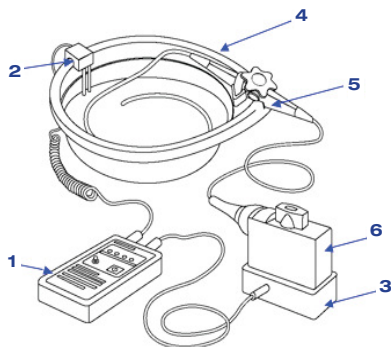
Temperature

Operating: 15 °C to 40 °C
(59 °F to 104 °F)

Storage: 15 °C to 65 °C
(59 °F to 149 °F)

Humidity

90 % max



Using the ULT800 with disinfecting/testing tray and the 600/220 Dual Conductivity Probe to test a TEE transducer.

Component Key:

- 1: ULT800
- 2: 600/220 Dual-conductivity probe
- 3: Ultrasound transducer adapter (to match the transducer being tested)

- 4: Disinfecting/testing tray
- 5: Ultrasound transducer under test
- 6: Ultrasound transducer connection block

Ordering Information

Model

2434187 ULT800 Ultrasound Transducer Leakage Tester Kits

2491569 Cust1 Ultrasound Transducer Leakage Tester Kit: Includes ULT800 (2491569), Dual Conductivity Electrode (2392502), and Hard-Sided Carrying Case (2392525)

2491578 Cust2 Ultrasound Transducer Leakage Tester Kit: Includes ULT800 (2491569), Dual-Conductivity Electrode for Cidex 2032 Tray (2392569), and Cidex 2032 Tray and Storage Foam Kit (2231001)

Ultrasound transducer adapters

2392430 Acuson/Siemens Ultrasound Transducer Adapter for Acuson 156 and V510B Transducers

2392578 Acuson/Siemens Ultrasound Transducer Adapter for Acuson 260 Transducers

2231811 Acuson/Siemens Ultrasound Transducer Adapter for Acuson 360 Transducers

2392591 Acuson/Siemens Ultrasound Transducer Adapter for Acuson MP and 3V2c Transducers

2392516 Acuson/Toshiba Ultrasound Transducer Adapter for Acuson XP, Acuson Aspen, Acuson Capasee, Acuson 3-Needle Guide C3, ATL 3.5 DFT, Toshiba PSF-37HT, and Toshiba F Series Transducers

2392482 HP/Agilent Ultrasound Transducer Adapter (600/210)

2392494 HP/Agilent Ultrasound Transducer Adapter (600/211)

2392475 GE LogiQ Ultrasound Transducer Adapter (600/204)

2231602 GE LogiQ Ultrasound Transducer Adapter (600/205)

2392453 GE YMS/RT Ultrasound Transducer Adapter for GE YMS/RT Transducers

2392466 GE CGR Ultrasound Transducer Adapter for GE CGR Radius and GE SONO Transducers

2392540 Hitachi Ultrasound Transducer Adapter

2649837 800-PHILIPS-04 Tee adapter-Philips Ie33/iU22

3083161 600/216A Ultrasound Transducer Adapter (ALOKA), English

2392557 Philips Ultrasound Transducer Adapter (ATL/600/218)

2540999 SonoSite TEE Ultrasound Transducer Adapter (for use with all SonoSite Transducers-including TEE)

Optional accessories

2392502 Dual Conductivity Electrode

2392525 Hard-Sided Carrying Case

2392569 Dual Conductivity Electrode—for use with Cidex 2032 Tray

2558630 800-Cleaning Tub—cleaning tub/lid with foam and box

2801776 600/220PLUS, Dual Conductivity Electrode for use with 800-Cleaning Tub

2392533 Conductivity Adapter Cable for PCI GUS Cleaning

2231616 Universal Ultrasound Probe for DALE601 and DALE601E

2392427 Chassis Ground Probe for DALE601/DALE601E2231001: Cidex® 2032 Tray and StorageFoam Kit

2743055 800-Cleaning Tub, Cleaning/Testing Basin for ULT800 Testing System

Fluke Biomedical.

Better products.

More choices.

One company.

Fluke Biomedical

PO Box 9090, Everett, WA 98206-9090 U.S.A.

Fluke Biomedical Europe AS

Vegamot 8, N-7048 Trondheim, Norway

For more information, contact us:

In the U.S.A. (800) 648-7952 or

Fax (425) 446-5629

In Europe/M-East/Africa +47 73954700 or

Fax +47 73954701

From other countries +1 (425) 347-6100 or

Fax +1 (425) 446-5629

Email: sales@flukebiomedical.com

Web access: www.flukebiomedical.com

©2007, 2008 Fluke Biomedical. Specifications subject to change without notice. All OEM company trademarks are implied. Printed in U.S.A.
1/2008 2802237 D-EN-N Rev B

About Fluke Biomedical

Fluke Biomedical is the world's leading manufacturer of quality biomedical test and simulation products. In addition, Fluke Biomedical provides the latest medical imaging and oncology quality-assurance solutions for regulatory compliance.

Today, biomedical personnel must meet the increasing regulatory pressures, higher quality standards, and rapid technological growth, while performing their work faster and more efficiently than ever. Fluke Biomedical provides a diverse range of software and hardware tools to meet today's challenges.

Fluke Biomedical Regulatory Commitment

As a medical device manufacturer, we recognize and follow certain quality standards and certifications when developing our products. We are ISO 9001 certified and our products are:

- FDA Compliant
- CE Certified, where required
- NIST Traceable and Calibrated
- UL, CSA, ETL Certified, where required
- NRC Compliant, where required